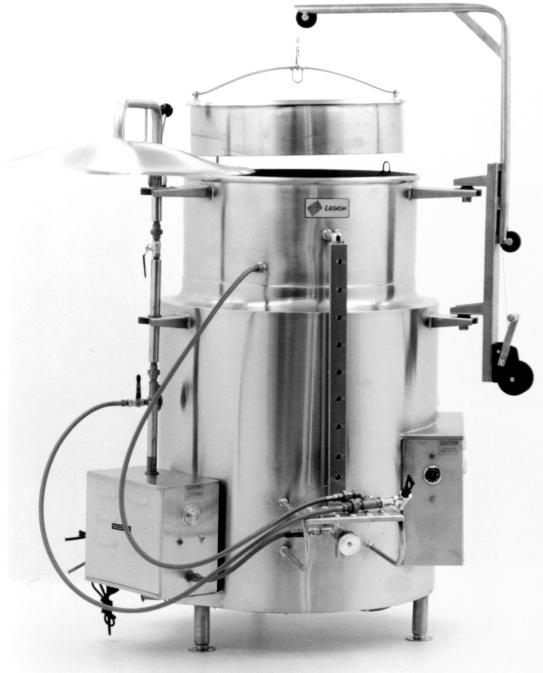


Insulated Self-Contained Kettle

Electric, 2/3 Jacketed
Insulated for Safety™
Deep Drawn Construction
Made in USA

Model LTCRE

Standard Features



Model LTCRE-60 shown with custom dispensing faucet

- ◆ Kettle System
 - ◇ 304 stainless liner
 - ◇ 304 stainless draw-off tube and welds
 - ◇ 304 stainless 2" compression draw-off
- ◆ 304L stainless kettle jacket
- ◆ 304 stainless leg socket supports, welded to jacket
- ◆ 304 stainless legs provided with reinforced bracing
 - ◇ 4 legs for 40 - 60 gallon, 1 5/8" diameter
 - ◇ 4 legs for 80 - 150 gallon, 2" diameter
- ◆ 30 psi operating pressure up to 125 gallon; 25 psi for 150 gallon
- ◆ 304 stainless, seam welded control console
- ◆ 304 stainless, one piece, domed cover
- ◆ Recirculating pump with automatic timer and manual control
- ◆ Graduated, break-resistant coffee level sight glass
- ◆ Gridded riser basket with canvas coffee bag and stainless spreader ring
- ◆ Bag removal hoist
- ◆ Water fill connection
- ◆ Adjustable flanged feet

Legion equipment is built to comply with applicable standards for manufacturers. Approval agencies may include ASME, NSF, UL, ETL, AGA, CSA, CGA and others. Legion reserves the right of design improvement or modification as warranted.

Models and Capacities

Optional Features and Accessories

See price list for supplemental information regarding options

LTCRE-40	40 gal.	(151 l.)
LTCRE-60	60 gal.	(227 l.)
LTCRE-80	80 gal.	(303 l.)
LTCRE-100	100 gal.	(379 l.)

Prison/Security:

- _ Draw-off protection package
- _ Fasteners (*screws & nuts*)
- _ Nut driver tool
- _ Screw driver tool
- _ Lockable lid
- _ Lockable control cover

Other Options:

- _ Pressure switch
- _ Elevated draw-off faucet 1/2"
- _ Water supply plumbing assembly
- _ Stainless mesh cloth coffee filter
- _ Remote coffee fill

Accessories:

- _ Draw-off drain with 6 foot hose
- _ Cloth coffee bag insert with stainless spreader ring
- _ Care kit

PUMP MOTOR OPTIONS

Voltage	φ Phase	Amps	H.P.
115	1	5.2	1/3
220	1	3.2	1/3
230	1	2.6	1/3
208	3	1.4	1/3
230	3	1.2	1/3
460	3	.6	1/3

Revision 113



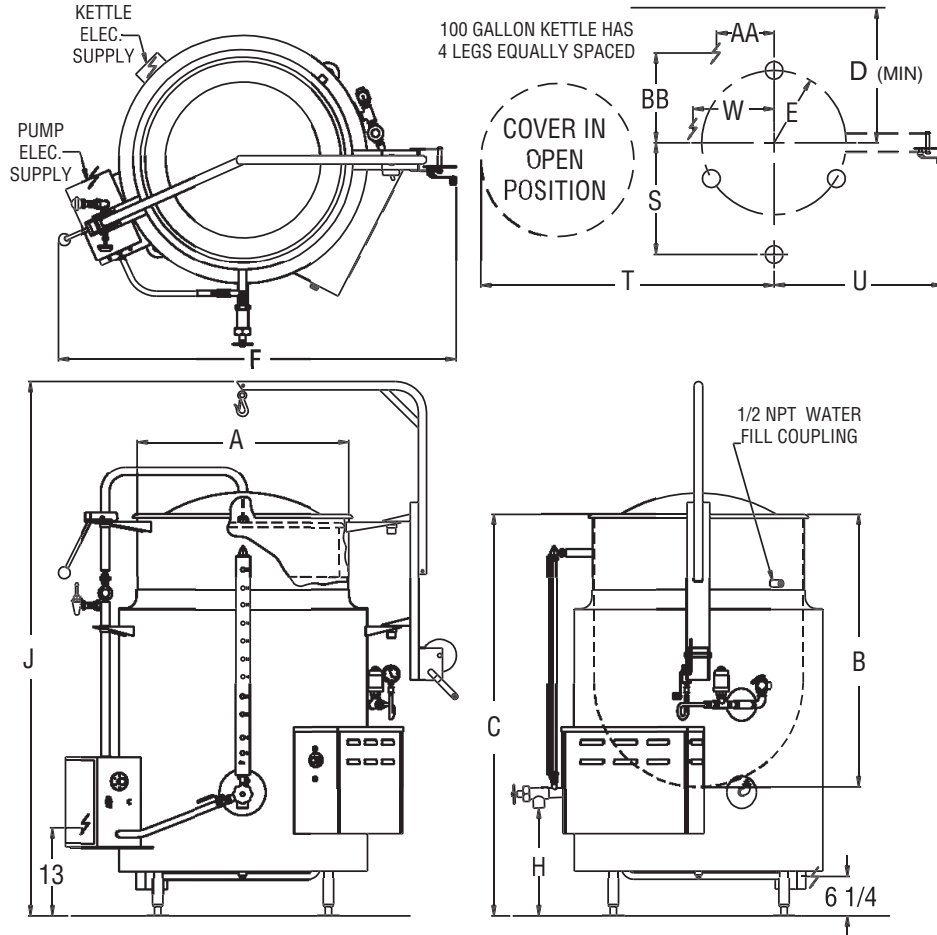
LEGION Legion Industries, Inc. P.O. Office Box 728 Waynesboro, GA 30830 (800) 887-1988
(706) 554-4411 Fax: (706) 554-2035 www.legionindustries.com sales@legionindustries.com

Model LTCRE

Electric, 2/3 Jacketed
Insulated for Safety™
Deep Drawn Construction
Made in USA

Insulated Self-Contained Kettle

DRAWING REPRESENTS MODEL LTCRE-100 WITH OPTIONAL ELEVATED SWING FAUCET



MODEL LTCRE DIMENSIONS													
GAL.	A	B	C	D	E	F	H	J	S	T	U	W	AA & BB
40	23.0	35.5	53.5	28.6	13.6	54.6	14.6	70.5	20.0	49.1	28.9	18.4	11.9
60	25.5	40.5	58.5	31.3	15.0	58.0	14.6	75.5	21.4	52.9	30.1	19.6	12.9
80	29.5	41.5	60.5	35.3	17.0	59.0	15.9	76.5	23.4	58.9	32.1	21.6	14.3
100	32.5	42.5	61.8	38.3	18.5	62.0	16.0	83.3	24.5	63.4	33.6	23.1	15.4

MODEL LTCRE ELECTRICAL SPECIFICATIONS (AMPERES PER LEG)													
GAL	KW	208 Volt		240 Volt		380 Volt		415 Volt		440 Volt		480 Volt	
		1Ø	3Ø	1Ø	3Ø	1Ø	3Ø	1Ø	3Ø	1Ø	3Ø	1Ø	3Ø
40	12	57.7	33.3	50.0	28.9	31.6	18.2	28.9	16.7	27.3	15.7	25.0	14.4
60	24	115.4	66.6	100.0	57.7	63.2	36.5	57.8	33.4	54.5	31.5	50.0	28.9
80	36	173.1	99.9	150.0	86.6	94.7	54.7	86.7	50.1	81.8	47.2	75.0	43.3
100	36	173.1	99.9	150.0	86.6	94.7	54.7	86.7	50.1	81.8	47.2	75.0	43.3

Revision 113



LEGION Legion Industries, Inc. P.O. Office Box 728 Waynesboro, GA 30830 (800) 887-1988
(706) 554-4411 Fax: (706) 554-2035 www.legionindustries.com sales@legionindustries.com